

QBD Series - Block Valve

Block Valve



New



Old

Cartridge



New



Old

Features

- Flat face valve
- No spillage
- -22°F to +250°F (-30°C to +123°C)
- Connection: Push to Connect
- Disconnection: Sleeve Retraction
- Connection Under Pressure: 2P - Residual, 3P - Allowed

Applications

- Skid steer equipment
- Tractors
- Municipalities - Plows

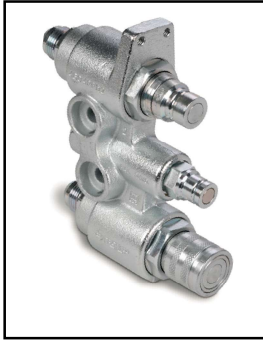
Interchange

- ISO 16028
- Faster

MAX WORKING PRESSURE (PSI)

BODY SIZE	STEEL
1/2"	5,075
3/4"	5,075

QBD Series - Block Valve



BLOCK VALVE - NEW

BODY	PART NO.	CROSSOVER NO.	DESCRIPTION	BOX
1/2"	QBD810FOB	4BD4FH08-58SAE	1/2" NEW BLOCK VALVE X -10 FOB	1
1/2"	QBD812MJ	4BD4FH08-13/34S	1/2" NEW BLOCK VALVE X -12 MALE JIC	1
3/4"	QBD1212MJ	4BD4FH12-13/34S	3/4" NEW BLOCK VALVE X -12 MALE JIC	1
SPARE PARTS - NEW				
3/8"	QBDN6	KIT-4BD-FFH06M	3/8" CATRIDGE NIPPLE - NEW/OLD	20
1/2"	QBDC8-N	KIT-4FH08-F	1/2" CATRIDGE COUPLER - NEW BLOCK VALVE	6
1/2"	QBDN8-N	KIT-4FH08-M	1/2" CATRIDGE NIPPLE - NEW BLOCK VALVE	6
3/4"	QBDC12-N	KIT-4FH12-F	3/4" CATRIDGE COUPLER - NEW BLOCK VALVE	4
3/4"	QBDN12-N	KIT-4FH12-M	3/4" CATRIDGE NIPPLE - NEW BLOCK VALVE	4
3/4"	QBD12SK-N	--	NEW BLOCK VALVE - SEAL KIT	10

BLOCK VALVE - OLD

BODY	PART NO.	CROSSOVER NO.	DESCRIPTION	BOX
1/2"	QBD812MJ-OLD	4BD4FI12-13/34S	1/2" OLD BLOCK VALVE X -12MALE JIC	1
SPARE PARTS - OLD				
3/8"	QBDN6	KIT-4BD-FFH06M	3/8" CATRIDGE NIPPLE - NEW/OLD	20
1/2"	QBDC8	KIT-4FI12- F	1/2" CARTRIDGE COUPLER - OLD BLOCK VALVE	10
1/2"	QBDC8-K	KIT-4FS12-F	1/2" CATRIDGE KIDNEY COUP - OLD BLOCK VALVE	10
1/2"	QBDN8	KIT-4FI12-M	1/2" CATRIDGE NIPPLE - OLD BLOCK VALVE	10
1/2"	QBD8SK	KIT-4FI12-OR	OLD BLOCK VALVE - SEAL KIT	25



90 ELBOW - FLAT FACE

BODY	PART NO.	CROSSOVER NO.	DESCRIPTION	BOX
1/2"	QFFN812-90	FFH08-61/34S M	90 DEG ELBOW FF 1/2" NIPPLE X -12 MALE JIC	5
1/2"	QFFN86-90	FFH08-61/38S M	90 DEG ELBOW FF 1/2" NIPPLE X - 6 MALE JIC	5
1/2"	QFZC812-90	3FFH08-61/34SFS	UNDER PRESS 90 DEG FF 1/2" COUPLER X -12 MJIC	5
1/2"	QFZC86-90	3FFH08-61/38SFS	UNDER PRESS 90 DEG FF 1/2" COUPLER X - 6 MJIC	5

Multifaster



Features

- Simultaneous connection of multiple lines
- No risk of line misalignment due to reference pins on fixed half
- Flat face couplers offer no spillage or air inclusion upon connection
- Ease of cleaning due to face design
- Connect Under Pressure - 2P Residual Pressure
- Connect Under Pressure - 3P 3,625 PSI
- -22°F to +250°F (-30°F to +121°C)

Applications

- Front end loaders
- Construction machinery
- Harvesting equipment

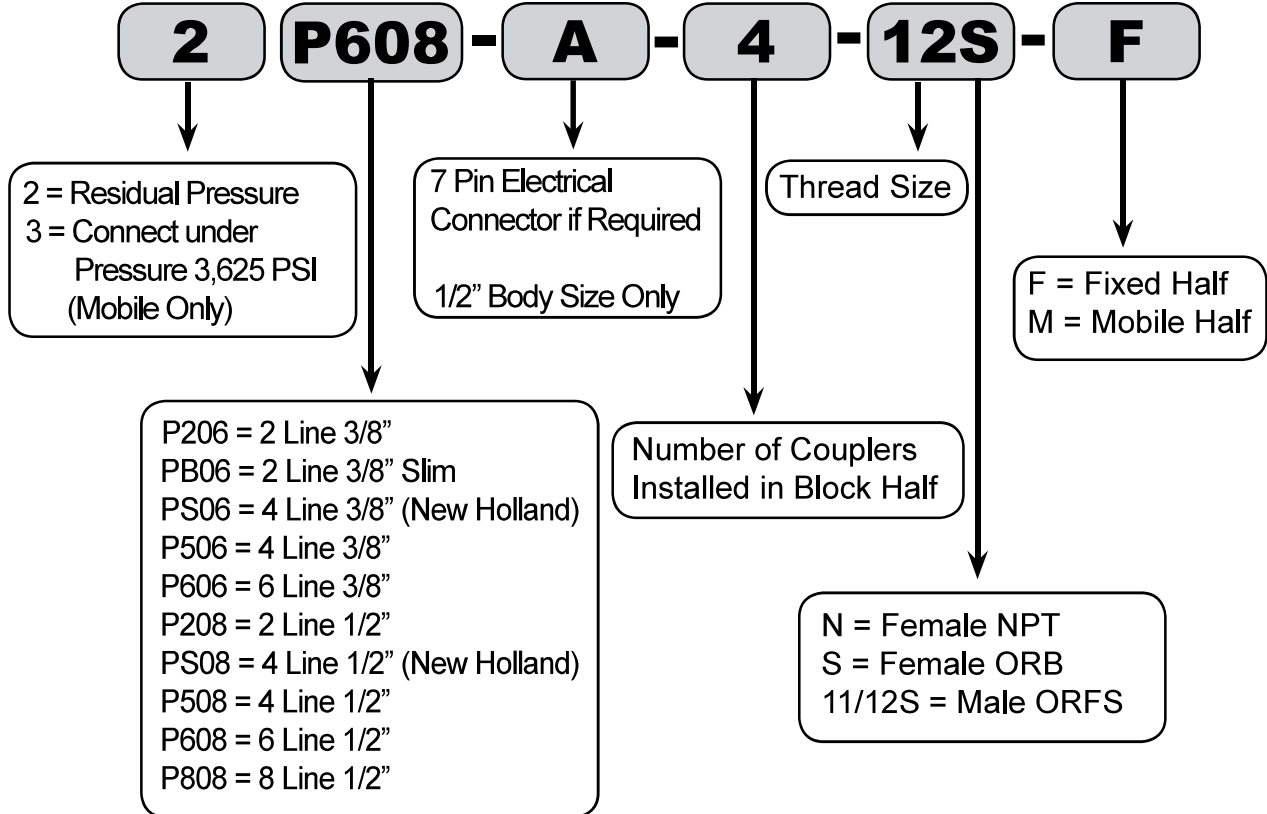
Interchange

- Faster

MAX WORKING PRESSURE (PSI)

BODY SIZE	2P	3P
3/8"	3,625	3,625
1/2"	3,625	3,625

Multifaster - Part Number Breakdown



Multifaster - 2P206/3P206 - 2 Lines 3/8"



MOBILE HALF

BODY SIZE	STEEL	THREAD	CONNECT PRESSURE
3/8"	2P206-2-128S-M	-8 Female - ORB	Residual
3/8"	2P206-2-12N-M	1/2" Female - NPT	Residual
3/8"	3P206-2-12S-M	-8 Female - ORB	3,625 PSI

FIXED HALF

BODY SIZE	STEEL	THREAD	CONNECT PRESSURE
3/8"	2P206-2-12S-F	-8 Female - ORB	Residual
3/8"	2P206-2-12N-F	1/2" Female - NPT	Residual

Multifaster - 2P208/3P208 - 2 Lines - 1/2"



MOBILE HALF

BODY SIZE	STEEL	THREAD	CONNECT PRESSURE
1/2"	2P208-2-12S-M	-8 Female - ORB	Residual
1/2"	2P208-2-12N-M	1/2" Female - NPT	Residual
1/2"	2P208-2-11/12S-M	-8 Male - ORFS	Residual
1/2"	3P208-2-12S-M	-8 Female - ORB	3,625 PSI

FIXED HALF

BODY SIZE	STEEL	THREAD	CONNECT PRESSURE
1/2"	2P208-2-12S-F	-8 Female - ORB	Residual
1/2"	2P208-2-12N-F	1/2" Female - NPT	Residual
1/2"	2P208-2-11/12S-F	-8 Male - ORFS	Residual

Multifaster - 2PB06 - 2 Lines 3/8" - Compact



MOBILE HALF

BODY SIZE	STEEL	THREAD	CONNECT PRESSURE
3/8"	2PB06-2-38S-M	-6 Female - ORB	Residual
3/8"	2PB06-2-12S-M	-8 Female - ORB	Residual
3/8"	2PB06-2-12N-M	1/2" Female - NPT	Residual
3/8"	3PB06-2-38S-MC	-6 Female -ORB	3,625 PSI
3/8"	3PB06-2-12S-MC	-8 Female - ORB	3,625 PSI

FIXED HALF

BODY SIZE	STEEL	THREAD	CONNECT PRESSURE
3/8"	2PB06-2-12S-F	-8 Female - ORB	Residual
3/8"	2PB06-2-12N-F	1/2" Female - NPT	Residual

Multifaster - 2P506/3P506 - 4 Lines - 3/8"



MOBILE HALF

BODY SIZE	STEEL	THREAD	CONNECT PRESSURE
3/8"	2P506-4*-12S-M	-8 Female - ORB	Residual
3/8"	2P506-4*-12N-M	1/2" Female - NPT	Residual
3/8"	2P506-11/12S-M	-8 Female - ORFS	Residual
3/8"	3P506-4*-12S-M	-8 Female - ORB	3,625 PSI

FIXED HALF

BODY SIZE	STEEL	THREAD	CONNECT PRESSURE
3/8"	2P506-4*-12S-F	-8 Female - ORB	Residual
3/8"	2P506-4*-12N-F	1/2" Female - NPT	Residual
3/8"	2P506-11/12S-F	-8 Female - ORFS	Residual

* Specify number of couplings

Multifaster - 2P508/3P508 - 4 Lines - 1/2"



MOBILE HALF

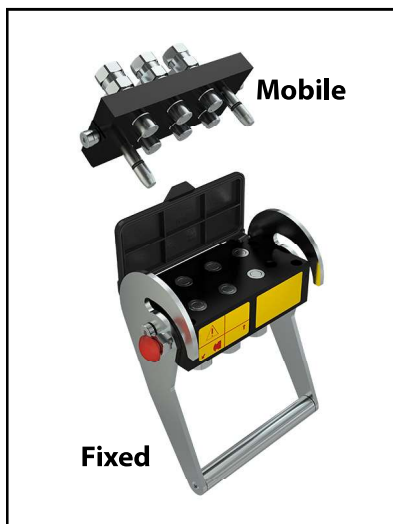
BODY SIZE	STEEL	THREAD	CONNECT PRESSURE
1/2"	2P508-4*-12S-M	-8 Female - ORB	Residual
1/2"	2P508-4*-12N-M	1/2" Female - NPT	Residual
1/2"	2P508-4*-11/12S-M	-8" Male - ORFS	Residual
1/2"	3P508-4*-12S-M	-8 Female - ORB	3,625 PSI

FIXED HALF

BODY SIZE	STEEL	THREAD	CONNECT PRESSURE
1/2"	2P508-4*-12S-F	-8 Female - ORB	Residual
1/2"	2P508-4*-12N-F	1/2" Female - NPT	Residual
1/2"	2P508-4*-11/12S-F	-8" Male - ORFS	Residual

* Specify number of couplings

Multifaster - 2P606/3P606 - 6 Lines - 1/2"



MOBILE HALF

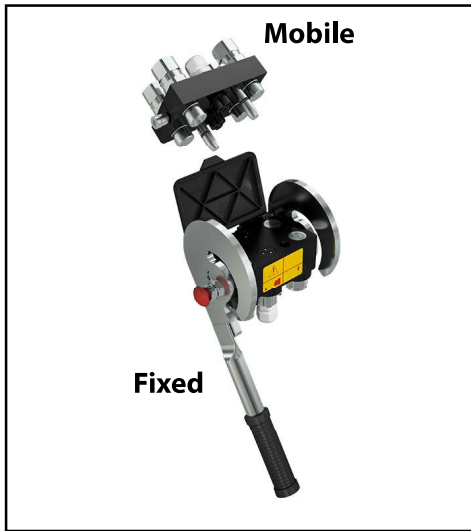
BODY SIZE	STEEL	THREAD	CONNECT PRESSURE
1/2"	2P606-6*-12S-M	-8 Female - ORB	Residual
1/2"	2P606-6*-12N-M	1/2" Female - NPT	Residual
1/2"	2P606-6*-11/12S-M	-8 Male - ORFS	Residual
1/2"	3P606-6*-12S-M	-8 Female - ORB	3,625 PSI

FIXED HALF

BODY SIZE	STEEL	THREAD	CONNECT PRESSURE
1/2"	2P606-6*-12S-F	-8 Female - ORB	Residual
1/2"	2P606-6*-12N-F	1/2" Female - NPT	Residual
1/2"	2P606-6*-11/12S-F	-8 Male - ORFS	Residual

* Specify number of couplings

Multifaster - 2P608/3P608 - 6 Lines - 1/2"



MOBILE HALF

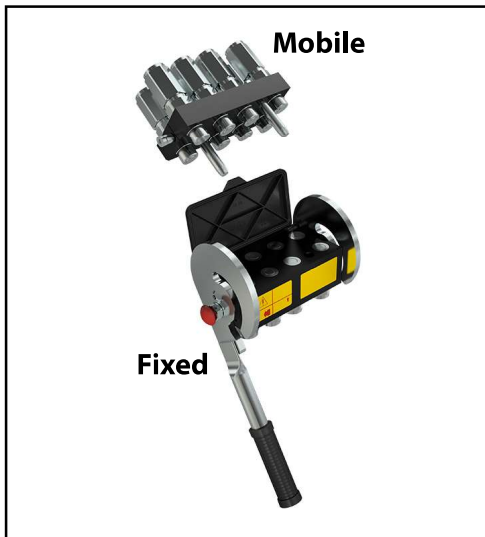
BODY SIZE	STEEL	THREAD	CONNECT PRESSURE
1/2"	2P608-6*-12S-M	-8 Female - ORB	Residual
1/2"	2P608-6*-12N-M	1/2" Female - NPT	Residual
1/2"	2P608-6*-11/12S-M	-8 Male - ORFS	Residual
1/2"	3P608-6*-12S-M	-8 Female - ORB	3,625 PSI

FIXED HALF

BODY SIZE	STEEL	THREAD	CONNECT PRESSURE
1/2"	2P608-6*-12S-F	-8 Female - ORB	Residual
1/2"	2P608-6*-34S-F	-12 Female - ORB	Residual
1/2"	2P608-6*-12N-F	1/2" Female - NPT	Residual
1/2"	2P608-6*-11/12S-F	-8 Male - ORFS	Residual
1/2"	2P608-6*-8BJFJWW	John Deere Style -8 Male - ORFS	Residual

* Specify number of couplings

Multifaster - 2P808/3P808 - 8 Lines - 1/2"



MOBILE HALF

BODY	STEEL	THREAD	CONNECT PRESSURE
1/2"	2P808-8*-12S-M	-8 Female - ORB	Residual
1/2"	2P808-8*-11/12S-M	-8 Male - ORFS	Residual
1/2"	3P808-8*-12S-M	-8 Female - ORB	3,625 PSI

FIXED HALF

BODY	STEEL	THREAD	CONNECT PRESSURE
1/2"	2P808-8*-12S-F	-8 Female - ORB	Residual
1/2"	2P808-8*-11/12S-F	-8 Male - ORFS	Residual

* Specify number of couplings

Multifaster - 2PS06/3PS06 - 4 Lines - 3/8"



MOBILE HALF

BODY SIZE	STEEL	THREAD	CONNECT PRESSURE
3/8"	2PS06-4*-12S-M	-8 Female - ORB	Residual
3/8"	3PS06-4*-12S-M	-8 Female - ORB	3,625 PSI

FIXED HALF

BODY SIZE	STEEL	THREAD	CONNECT PRESSURE
3/8"	2PS06-4*-12S-F	-8 Female - ORB	Residual

* Specify number of couplings

Multifaster - 2PS08/3PS08 - 4 Lines - 1/2"



MOBILE HALF

BODY SIZE	STEEL	THREAD	CONNECT PRESSURE
1/2"	2PS08-4*-12S-M	-8 Female - ORB	Residual
1/2"	2PS08-4*-11/12S-M	-8 Male - ORFS	Residual
1/2"	3PS08-4*-12S-M	-8 Female - ORB	3,625 PSI

FIXED HALF

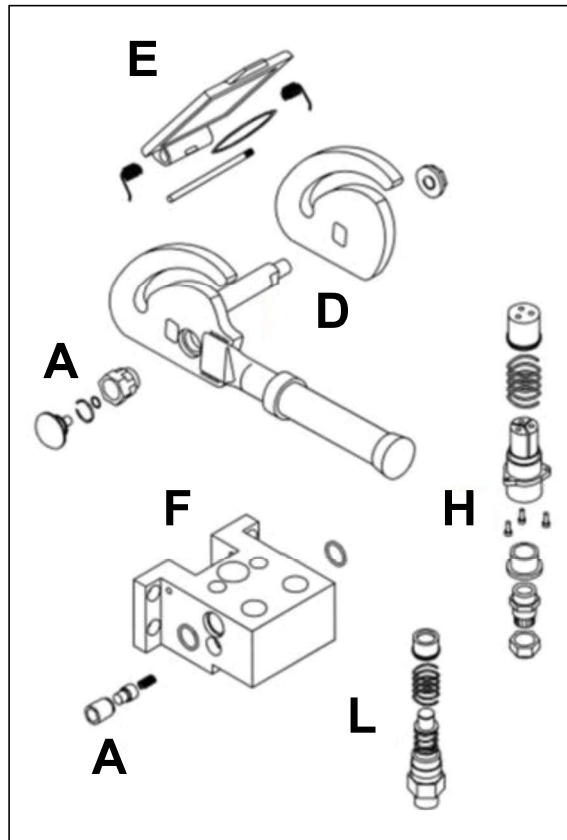
BODY SIZE	STEEL	THREAD	CONNECT PRESSURE
1/2"	2PS08-4*-12S-F	-8 Female - ORB	Residual
1/2"	2PS08-4*-11/12S-F	-8 Male - ORFS	Residual

* Specify number of couplings

Multifaster - Replacement Parts

FIXED HALF

BLOCK STYLE	BLOCK PART NUMBER (A+D+E+F)	COUPLER PART NUMBER (L)	SAFETY LOCK (A)	LEVER (D)	COVER (E)	ELECTRICAL CONNECTOR (H)	CABLE TERMINALS
P206	KIT-P206-F L	KIT2FNB38-NPT-F KIT2FNB38-12N-F KIT2FNB38-38S-F KIT2FNB38-12S-F	KIT-SP5-S	KIT-LP206	KIT-TA-P2	N/A	N/A
PB06	KIT-PB06-F L		KIT-SP5-S	KIT-LPB06	KIT-TA-PB		
PS06	KIT-PS06-F L		KIT-SP5-S	KIT-LP606	KIT-TA-P6		
P506	KIT-P506-F L		KIT-SP5-S	KIT-LP506	KIT-TA-P5		
P606	KIT-P606-F L		KIT-SP5-S	KIT-LP606	KIT-TA-P6		
P208	KIT-P208-F L	KIT2FNB12-NPT-F KIT2FNB12-12S-F KIT2FNB12-34S-F KIT2FNB12-11/12S-F	KIT-SP5-S	KIT-LP208	KIT-TA-P2	KIT-SPEL08-7F	KIT-CC-SPEL08-7
PS08	KIT-PS08-F L		KIT-SP5-S	KIT-LP508	KIT-TA-P8		
P508	KIT-P508-F L		KIT-SP5-S	KIT-LP508	KIT-TA-P5		
P608	KIT-P608-F L		KIT-SP5-S	KIT-LP608	KIT-TA-P608		
P808	KIT-P808-F L		KIT-SP5-S	KIT-LP808	KIT-TA-P8		



Multifaster - Replacement Parts

MOBILE HALF

BLOCK STYLE	BLOCK PART NUMBER (G+B+C)	COUPLER PART NUMBER (M)	SCREW (B)	GUIDE PINS (C)	ELECTRICAL CONNECTOR (I)	CABLE TERMINALS	SEAL KIT (SK)	MOBILE PLATE SUPPORT
P206	KIT-P206-M	KIT2FNP38-12N-M KIT2FNP38-38S-M KIT2FNP38-12S-M KIT3FNP38-38S-M KIT3FNP38-12S-M	KIT-VP4	KIT-GP4	N/A	N/A	SK-MF-38	S-P2
PB06	KIT-PB06-M			KIT-GP4				S-PB
PS06	KIT-PS06-M			KIT-GP4				S-PS
P506	KIT-P506-M			KIT-GP4				S-P5
P606	KIT-P606-M			KIT-GP4				S-P6
P208	KIT-P208-M	KIT2FNP12-NPT-M KIT2FNP12-12S-M KIT2FNP12-34S-M KIT2FNP12-11/12S-M KIT3FNP12-NPT-M KIT3FNP12-12S-M KIT3FNP12-11/12S-M	KIT-VP8	KIT-GP4	KIT-SPEL08-7M	KIT-CC-SPEL08-7	SK-MF-12	S-P2
PS08	KIT-PS08-M			KIT-GP4				S-PS
P508	KIT-P508-M			KIT-GP4				S-P5
P608	KIT-P608-M			KIT-GP4				S-P608
P808	KIT-P808-M			KIT-GP8				S-P8

